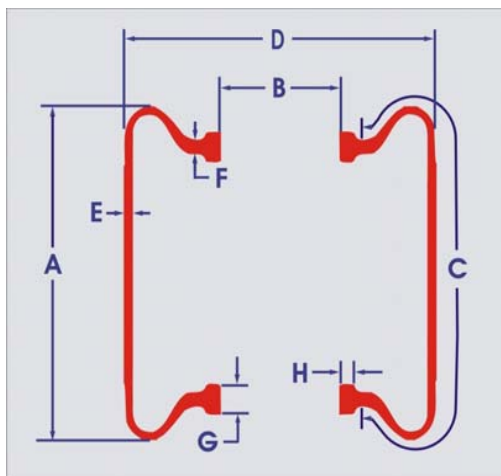


# B.O.M. Low Profile Bladder Specifications

APRIL 2007



QUALITY INJECTION MOLDED BLADDERS

**PATENTED TECHNOLOGY & DESIGNS**



**"L.A.R.C." Low Aspect Ratio Curing Bladders**

Ref **Bladder**  
Tire **Order Number**

Overall Height A	Foot I.D. B	Effective Periphery C	Bladder O.D. D	Center Gauge E	Neck Gauge F	Foot Height G	Foot Width H	Net Bladder Weight	Bladder Surface Pattern
---------------------	----------------	--------------------------	-------------------	-------------------	-----------------	------------------	-----------------	--------------------	-------------------------

10"	<b>10L340334</b> <b>C9605</b>	mm inch	* 6.56	166.6 13.16	334.3 13.40	340.4	*	8.89 .350	23.8 .94	12.7 .50	*	<b>R-1</b>
18"	<b>18L526379</b> <b>C9657</b>	mm inch	* 13.00	330.2 14.90	378.5 20.70	525.8	*	10.6 .417	21.6 .85	12.7 .50	*	<b>R-1</b>
19"	<b>19L508330</b> <b>C9532</b>	mm inch	* 14.92	378.0 13.00	330.2 20.00	508.0	*	8.89 .350	19.1 .75	9.53 .375	*	<b>R-1</b>

\* CONTACT CURE KING FOR AVAILABLE BLADDER SIZES AND COMPLETE SPECIFICATIONS